

SINGER
7000/7004/7005

LIST OF PARTS

Sewing Machine Series

7000

7004

7005

by **SINGER***



A Publication of Product Support
International Group Engineering

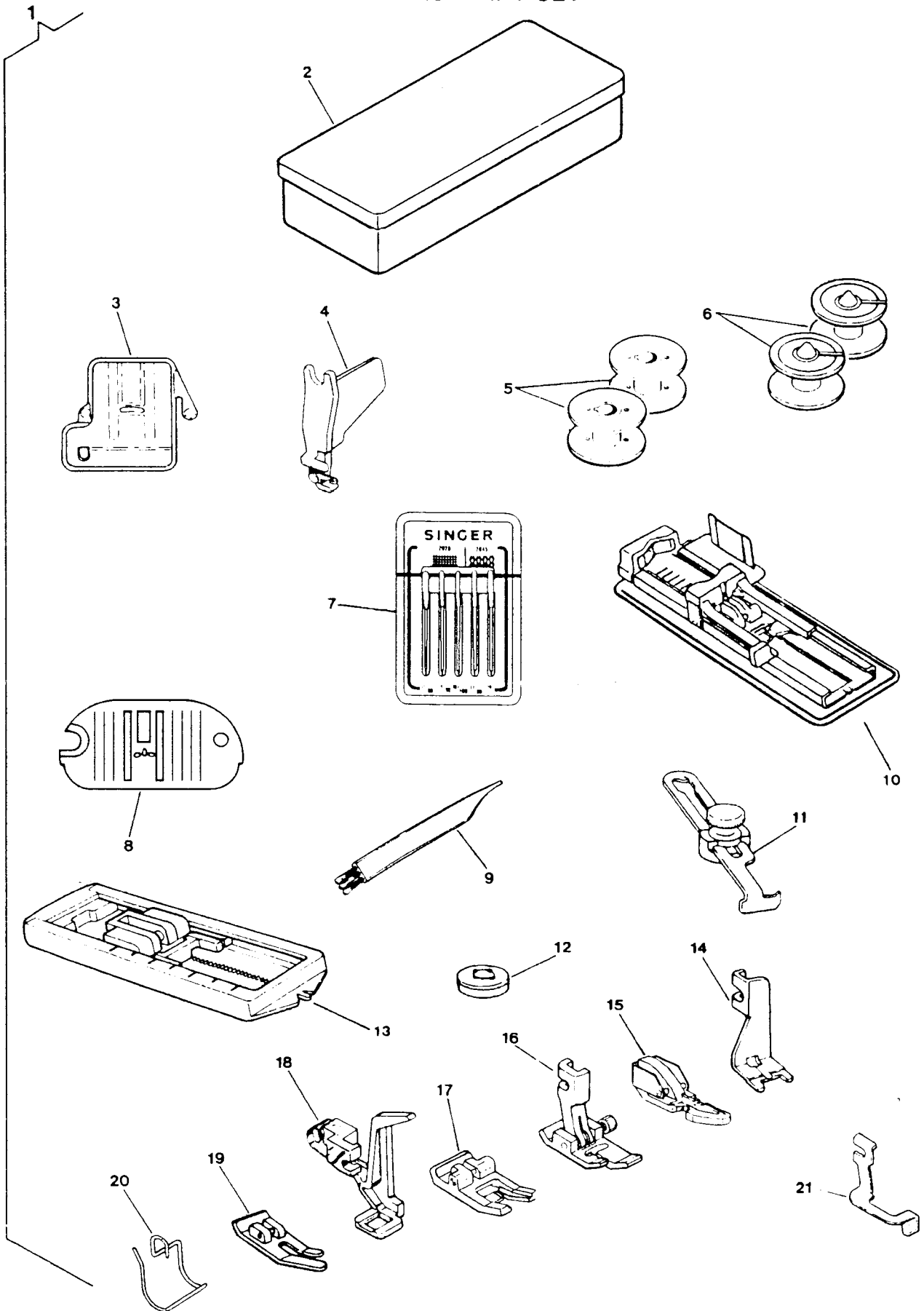
Part No. 317161-002
Printed in Taiwan

From the library of: Diamond Needle Corp

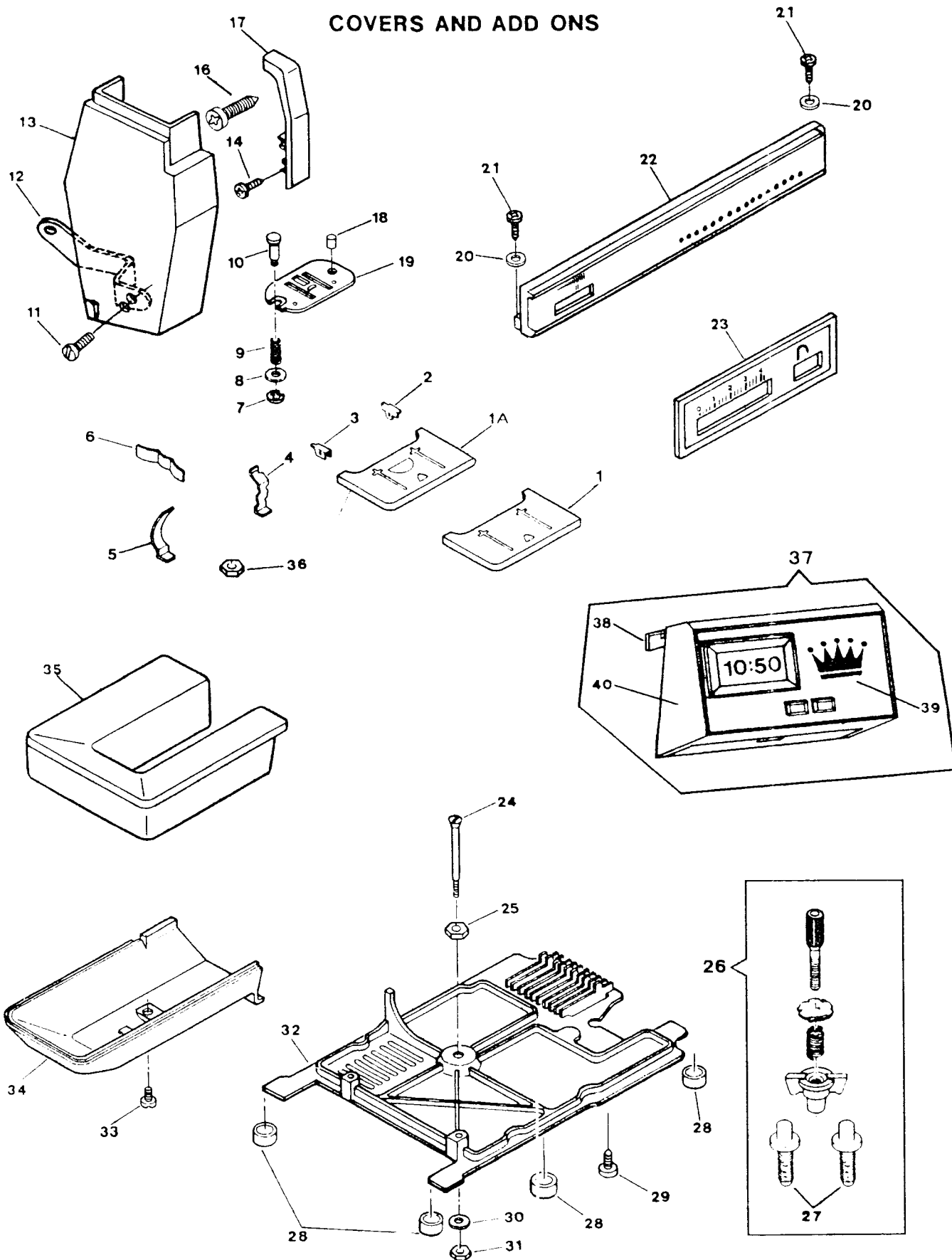
ATTACHMENT SET

REF. NO.	PART NO.	DESCRIPTION	7	7	7
			0	0	0
			0	0	0
			0	4	5
1	313030	ATTACHMENT COMPLETE		X	
1	313032	ATTACHMENT COMPLETE	X		
1	317145	ATTACHMENT COMPLETE			X
2	402673-455	ACCESSORY BOX COMPLETE		X	
3	313117	FEED COVER PLATE	X		X
4	503277	NEEDLE THREADER COMPLETE	X		
5	172336	BOBBIN		X	
6	312956	BOBBIN	X		X
7	353364	NEEDLE PACK (ALT:384064)	X	X	X
8	313066	THROAT PLATE FOR STRAIGHT SEWING	X		
9	546358	LINT BRUSH	X	X	X
10	313093-451	BUTTONHOLE (ONE-STEP) COMPLETE (ALT:NT-1321)	X		
11	161172	SEAM & BLINDSTITCH HEM GUIDE COMPLETE	X		X
12	507664-459	ARM SPOOL PIN THREAD LEAD OFF (SMALL, PLASTIC)	X		
13	313992-451	PRESSER FOOT PLATE (SNAP-ON) FOR SEWING BUTTONHOLES		X	X
14	381066	PRESSER FOOT PLATE FOR BUTTON SEWING	X		
15	171480	PRESSER FOOT PLATE (SNAP-ON) FOR CORDING & SLIDE FASTENERS COMPL.	X	X	X
16	381491	BLIND HEM PRESSER FOOT ASSEMBLY	X		
17	171463	SPECIAL PURPOSE PRESSER FOOT PLATE (SNAP-ON)	X	X	X
18	384037	DARNING & EMBROIDERY FOOT COMPLETE (PLASTIC)	X		X
19	353628	PRESSER FOOT PLATE (SNAP-ON) FOR STRAIGHT SEWING	X		
19	161319	PRESSER FOOT PLATE (SNAP-ON) FOR STRAIGHT SEWING (ALTERNATE)	X		
20	421588	FINGER GUARD ATTACHED TO PRESSER BAR FOR ITALY AND U.S. SCHOOL MACHINES. IN ACCESSORY BOX FOR FRANCE	X	X	
21	171110	BLINDSTITCH GUIDE		X	

ATTACHMENT SET



COVERS AND ADD ONS



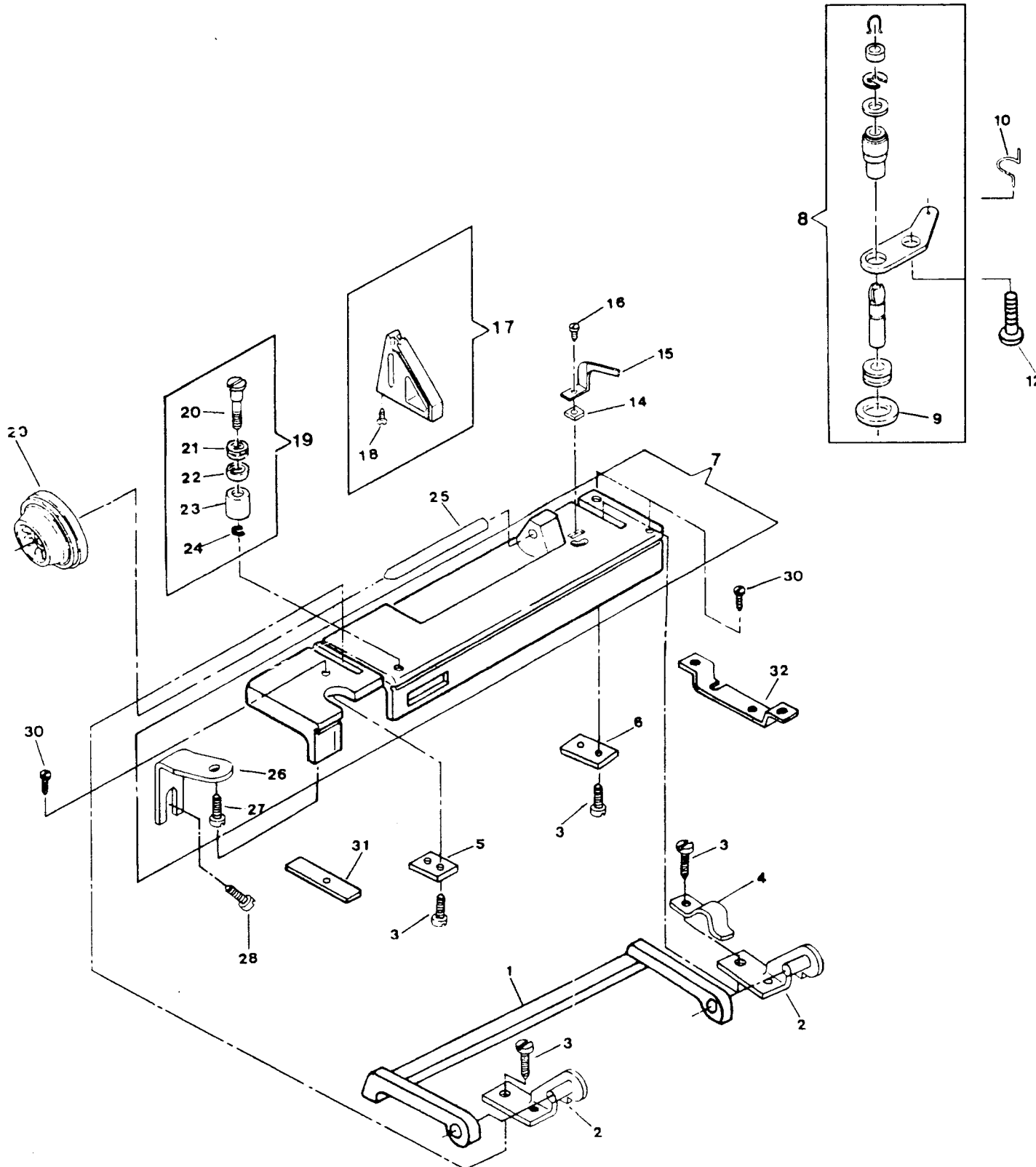
COVERS AND ADD ONS

REF. PART NO. NO.	DESCRIPTION	7 0 0 0	7 0 0 4	7 0 0 5
1	314666			X
1A	314109		X	X
2	312779		X	X
2	314669			X
3	313108		X	X
3	314670			X
4	313178			X
5	313179			X
6	313118		X	X
7	313098		X	X
8	549426-451		X	X
9	312805		X	X
10	312804		X	X
11	113521-451		X	X
12	314263		X	X
13	314259-451		X	X
14	113470-003		X	X
15	314455		X	X
16	113455-004		X	X
17	314718-451		X	X
18	353624		X	X
19	312777		X	X
20	502495-451		X	X
21	113455-001		X	X
22	317131		X	
22	317139		X	
23	313152-007		X	X
23	313152-008			X
24	313052-451		X	X
25	313173-451		X	X
26	313180		X	X
27	148869		X	X
28	313909-451		X	X
29	113455-002		X	X
30	313172-451		X	X
31	313177-452		X	X
32	312774-001		X	X
33	354633-452		X	X
34	312773-451		X	X
35	313882-451		X	X
36	313049		X	X
37	317136		X	X
38	317135		X	X
39	317134		X	X
40	317137-001		X	X

ARM TOP COVER

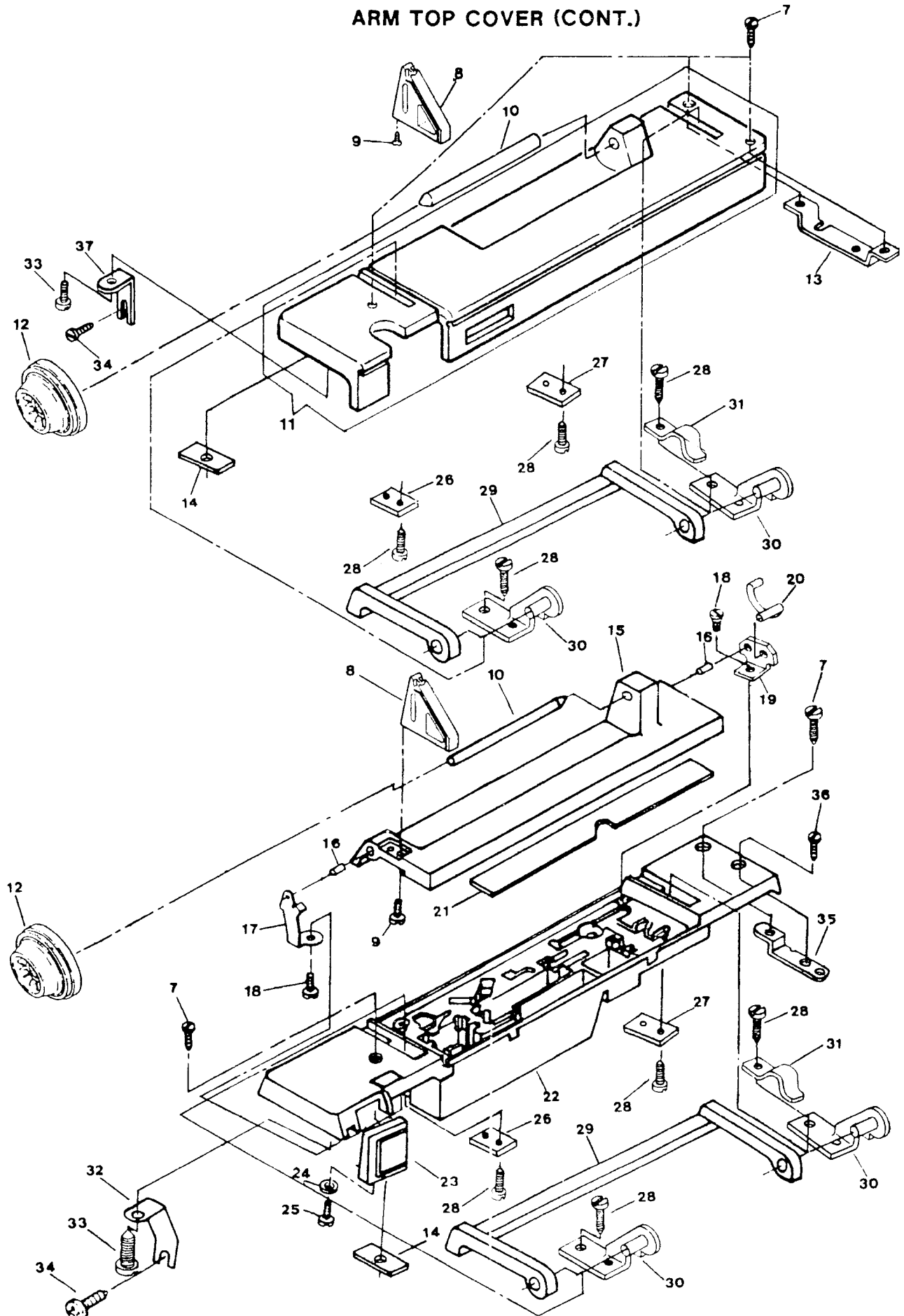
REF. PART NO. NO.	DESCRIPTION	7	7	7
		0	0	0
		0	0	0
		0	4	5
1	314384-451	ARM TOP COVER	MACHINE HANDLE	X
2	314386	ARM TOP COVER	MACHINE HANDLE HINGE BRACKET COMPLETE (2)	X
3	113520-451	ARM TOP COVER	MACHINE HANDLE HINGE BRACKET SCREW (RIGHT & LEFT)	X
4	314485	ARM TOP COVER	MACHINE HANDLE RETAINING SPRING	X
5	314561	ARM TOP COVER	MACHINE HANDLE HINGE BRACKET NUT PLATE (LEFT)	X
6	314560	ARM TOP COVER	MACHINE HANDLE HINGE BRACKET NUT PLATE (RIGHT)	X
7	317026-005	ARM TOP COVER	ASSEMBLY	X
8	314675	BOBBIN WINDER	ASSEMBLY	X
9	314045-451	BOBBIN WINDER	FRICTION RING	X
10	312897	BOBBIN WINDER	LEVER SPRING	X
12	314672	BOBBIN WINDER	LEVER HINGE STUD	X
14	314711-451	BOBBIN WINDER	STOP SCREW NUT	X
15	312894	BOBBIN WINDER	STOP	X
16	141808-453	BOBBIN WINDER	STOP SCREW	X
17	313563	ARM TOP COVER	THREAD GUIDE ASSEMBLY	X
18	354810-451	ARM TOP COVER	THREAD GUIDE SCREW	X
19	313536	BOBBIN WINDER	TENSION ASSEMBLY	X
20	179812	BOBBIN WINDER	TENSION STUD	X
21	45847	BOBBIN WINDER	TENSION DISC SPRING	X
22	45915	BOBBIN WINDER	TENSION DISC	X
23	319606	BOBBIN WINDER	TENSION STUD COLLAR	X
24	319663-452	BOBBIN WINDER	TENSION STUD RETAINING RING	X
25	312940-451	SPOOL PIN (HORIZONTAL)		X
26	314337	ARM TOP COVER	SUPPORT BRACKET	X
27	113442-002	ARM TOP COVER	SUPPORT BRACKET SCREW (LEFT)	X
28	113516-451	ARM TOP COVER	SUPPORT BRACKET SCREW (RIGHT)	X
29	179967-451	SPOOL PIN	THREAD LEAD-OFF (MEDIUM & LARGE)	X
30	354927-001	ARM TOP COVER	MOUNTING SCREW (3)	X
31	312892	ARM TOP COVER	MOUNTING PLATE (LEFT)	X
32	314275	ARM TOP COVER	MOUNTING PLATE (RIGHT)	X

ARM TOP COVER



From the library of: Diamond Needle Corp

ARM TOP COVER (CONT.)



ARM TOP COVER (CONT.)

REF. PART NO. NO.	DESCRIPTION	7	7	7
		0	0	0
		0	0	0
		0	4	5
7	354927-001	ARM TOP COVER MOUNTING SCREW	X	X
8	313563-451	ARM TOP COVER THREAD GUIDE ASSEMBLY	X	X
9	113501-451	ARM TOP COVER THREAD GUIDE SCREW	X	X
10	312940-451	SPOOL PIN (HORIZONTAL)	X	X
12	179967-451	SPOOL PIN THREAD LEAD-OFF (MEDIUM & LARGE)	X	X
14	312892	ARM TOP COVER MOUNTING PLATE (LEFT)	X	X
15	314380-902	ARM TOP COVER LID	X	X
16	314478	ARM TOP COVER LID HINGE PIN	X	X
17	314618	ARM TOP COVER LID HINGE (LEFT)	X	X
18	113445-006	ARM TOP COVER LID HINGE SCREW (2)	X	X
19	313213	ARM TOP COVER LID HINGE (RIGHT)	X	X
20	313435	ARM TOP COVER LID SPRING	X	X
22	314379-900	ARM TOP COVER MOLDED	X	X
23	314390-011	CONTROL PANEL EXTENSION ASSEMBLY	X	
23	314390-012	CONTROL PANEL EXTENSION ASSEMBLY		X
24	502495-451	CONTROL PANEL EXTENSION WASHER	X	X
25	113455-003	CONTROL PANEL EXTENSION SCREW	X	X
26	314561	ARM TOP COVER MACHINE HANDLE HINGE BRACKET NUT PLATE (LEFT)	X	X
27	314560	ARM TOP COVER MACHINE HANDLE HINGE BRACKET NUT PLATE (RIGHT)	X	X
28	113520-451	ARM TOP COVER MACHINE HANDLE HINGE BRACKET SCREW (RIGHT & LEFT)	X	X
29	314384-451	ARM TOP COVER MACHINE HANDLE	X	X
30	314386	ARM TOP COVER MACHINE HANDLE HINGE BRACKET COMPLETE (2)	X	X
31	314485	ARM TOP COVER MACHINE HANDLE RETAINING SPRING	X	X
32	314391	ARM TOP COVER SUPPORT BRACKET	X	X
33	113442-002	ARM TOP COVER SUPPORT BRACKET (LEFT) MOUNTING SCREW	X	X
34	113516-451	ARM TOP COVER SUPPORT BRACKET (RIGHT) SCREW	X	X
35	314387	ARM TOP COVER MOUNTING PLATE (RIGHT)	X	X
36	354954-451	ARM TOP COVER MOUNTING SCREW (RIGHT FRONT)	X	X
37	314337	ARM TOP COVER SUPPORT BRACKET	X	X

ARM SHAFT DRIVE SYSTEM

REF. PART NO. NO.	DESCRIPTION	7 7 7 0 0 0 0 0 0 0 4 5	
1	113455-001	ARM SHAFT (HORIZONTAL) BUSHING (LEFT & RIGHT) CLAMP SCREW	X X X
2	312796	ARM SHAFT (HORIZONTAL) BUSHING (LEFT & RIGHT) CLAMP ASSEMBLY	X X X
3	113488-451	THREAD TAKE-UP STUD SET SCREW	X X X
4	931929-004	THREAD TAKE-UP AXIAL SCREW WASHER	X X X
5	113408-001	THREAD TAKE-UP AXIAL SCREW	X X X
6	313982	ARM SHAFT HORIZONTAL ASSEMBLY	X
6	313989	ARM SHAFT HORIZONTAL ASSEMBLY (ALTERNATE TO 313982)	X
6	313998	ARM SHAFT (HORIZONTAL) ASSEMBLY	X X
6	313999	ARM SHAFT HORIZONTAL ASSEMBLY (ALTERNATE TO 313998)	X X
7	312620-001	ARM SHAFT (HORIZONTAL) RETAINING COLLAR THRUST WASHER (PLASTIC)	X X X
7A	312620-002	ARM SHAFT THRUST WASHER	X X X
8	312795	ARM SHAFT (HORIZONTAL) BUSHING (LEFT & RIGHT)	X X X
9	514556-451	ARM SHAFT (HORIZONTAL) RETAINING COLLAR SET SCREW	X X X
10	312619	ARM SHAFT (HORIZONTAL) RETAINING COLLAR ASSEMBLY	X X X
11	603975-011	BELT (ROTATING HOOK DRIVE) ALT:603975-012	X X X
12	544212-003	ARM SHAFT (HORIZONTAL) BELT DRIVE PULLEY SCREW	X X X
13	314074-901	ARM SHAFT (HORIZONTAL) BELT DRIVE PULLEY (PLASTIC)	X X X
14	354591-451	DISC STACK DRIVING WORM GEAR SET SCREW	X X X
15	312623	DISC STACK DRIVING WORM GEAR ASSEMBLY	X X X
16	313153	HAND WHEEL RETAINING RING	X
17	314131	ROTATING HOOK DRIVE SHAFT BELT PULLEY ASSEMBLY	X X X
18	544098	ROTATING HOOK DRIVE SHAFT BELT PULLEY SET SCREW	X X X
19	113445-001	ROTATING HOOK DRIVE SHAFT BUSHING (SELF-ALIGNING) CLAMP SCREW	X X X
20	314013-451	ROTATING H. D. SHAFT BUSHING (SELF-ALIGNING) CLAMP SCREW LOCK WASHER	X X X
21	313816	ROTATING HOOK DRIVE SHAFT BUSHING (SELF-ALIGNING) CLAMP	X X X
22	312700-001	ROTATING HOOK DRIVE SHAFT BUSHING (RIGHT) (SELF-ALIGNING)	X X X
23	444900-452	ROTATING HOOK DRIVE SHAFT SPRING WASHER	X X X
25	312685	ROTATING HOOK DRIVE SHAFT BEARING RETAINING RING	X X X
26	313920	FEED DRIVE SHAFT DRIVING GEAR ASSEMBLY	X X X
27	113466-451	FEED DRIVE SHAFT GEAR SET SCREW	X X X
28	313936	ROTATING HOOK DRIVE SHAFT	X X X
29	312700-002	ROTATING HOOK DRIVE SHAFT BUSHING (LEFT) (SELF-ALIGNING)	X X X
31	544208-005	ROTATING HOOK DRIVE SHAFT BEVEL GEAR SET SCREW	X X X
32	314011	ROTATING HOOK DRIVE SHAFT BEVEL GEAR ASSEMBLY ALT:314054-900	X X X
33	313195	IDLER BRACKET ASSEMBLY	X X X
34	313157	BELT IDLER PULLEY RETAINING RING	X X X
35	382255	BELT IDLER PULLEY	X X X
36	313001	IDLER BRACKET ASSEMBLY	X X X
39	113455-002	ROTATING HOOK DRIVING BELT TENSION ADJUSTER SCREW	X X X
40	314014-451	ROTATING HOOK DRIVING BELT TENSION ADJUSTER SCREW WASHER	X X X
41	314013-451	ARM SHAFT BUSHING (LAMP SCREW WASHER)	X X X

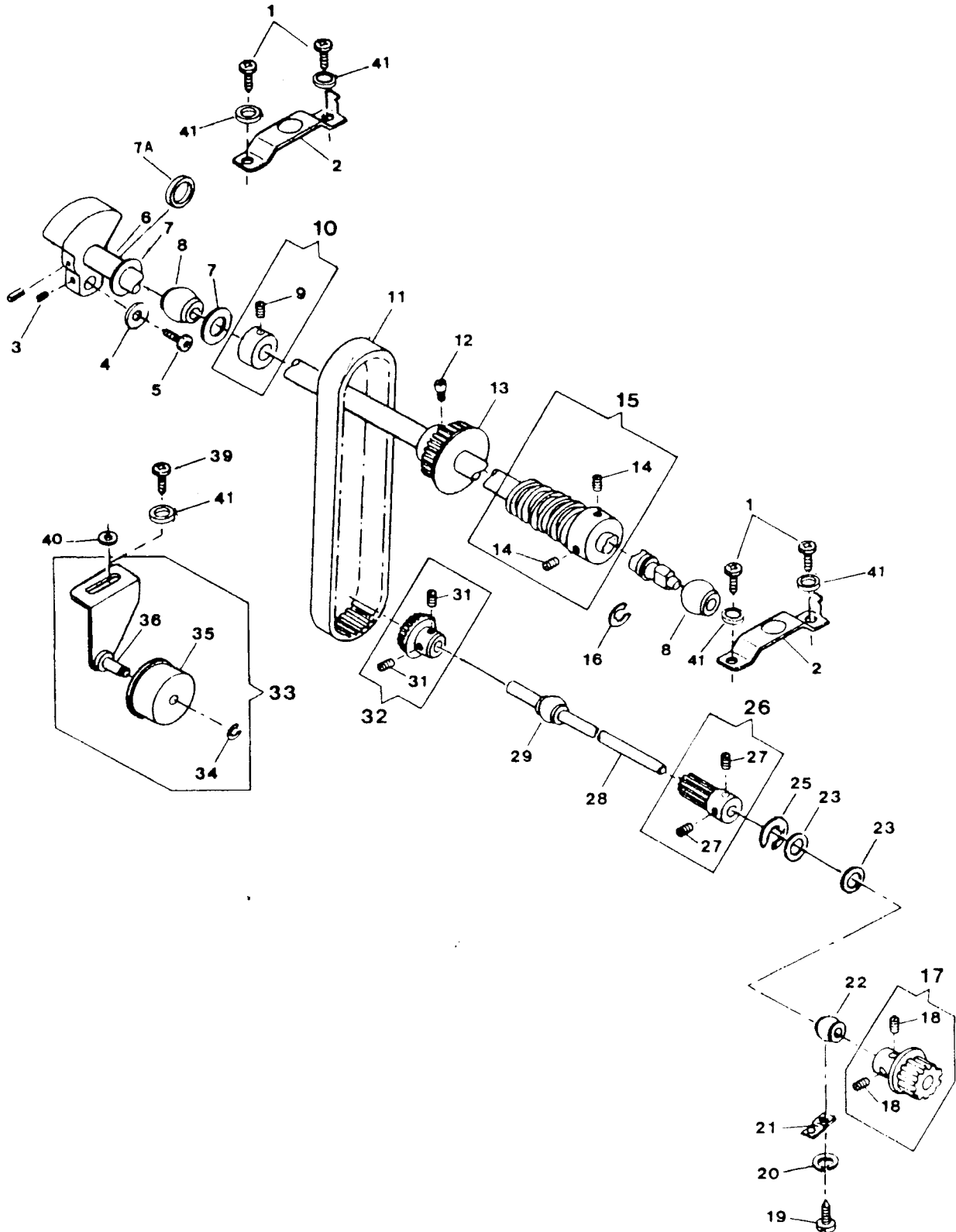
ARM TOP COVER (CONT.)

REF. PART NO. NO.	DESCRIPTION	7	7	7
7	354927-001	ARM TOP COVER MOUNTING SCREW	X	X
8	313563-451	ARM TOP COVER THREAD GUIDE ASSEMBLY	X	X
9	113501-451	ARM TOP COVER THREAD GUIDE SCREW	X	X
10	312940-451	SPOOL PIN (HORIZONTAL)	X	X
12	179967-451	SPOOL PIN THREAD LEAD-OFF (MEDIUM & LARGE)	X	X
14	312892	ARM TOP COVER MOUNTING PLATE (LEFT)	X	X
15	314380-902	ARM TOP COVER LID	X	X
16	314478	ARM TOP COVER LID HINGE PIN	X	X
17	314618	ARM TOP COVER LID HINGE (LEFT)	X	X
18	113445-006	ARM TOP COVER LID HINGE SCREW (2)	X	X
19	313213	ARM TOP COVER LID HINGE (RIGHT)	X	X
20	313435	ARM TOP COVER LID SPRING	X	X
22	314379-900	ARM TOP COVER MOLDED	X	X
23	314390-011	CONTROL PANEL EXTENSION ASSEMBLY	X	
23	314390-012	CONTROL PANEL EXTENSION ASSEMBLY		X
24	502495-451	CONTROL PANEL EXTENSION WASHER	X	X
25	113455-003	CONTROL PANEL EXTENSION SCREW	X	X
26	314561	ARM TOP COVER MACHINE HANDLE HINGE BRACKET NUT PLATE (LEFT)	X	X
27	314560	ARM TOP COVER MACHINE HANDLE HINGE BRACKET NUT PLATE (RIGHT)	X	X
28	113520-451	ARM TOP COVER MACHINE HANDLE HINGE BRACKET SCREW (RIGHT & LEFT)	X	X
29	314384-451	ARM TOP COVER MACHINE HANDLE	X	X
30	314386	ARM TOP COVER MACHINE HANDLE HINGE BRACKET COMPLETE (2)	X	X
31	314485	ARM TOP COVER MACHINE HANDLE RETAINING SPRING	X	X
32	314391	ARM TOP COVER SUPPORT BRACKET	X	X
33	113442-002	ARM TOP COVER SUPPORT BRACKET (LEFT) MOUNTING SCREW	X	X
34	113516-451	ARM TOP COVER SUPPORT BRACKET (RIGHT) SCREW	X	X
35	314387	ARM TOP COVER MOUNTING PLATE (RIGHT)	X	X
36	354954-451	ARM TOP COVER MOUNTING SCREW (RIGHT FRONT)	X	X
37	314337	ARM TOP COVER SUPPORT BRACKET	X	X

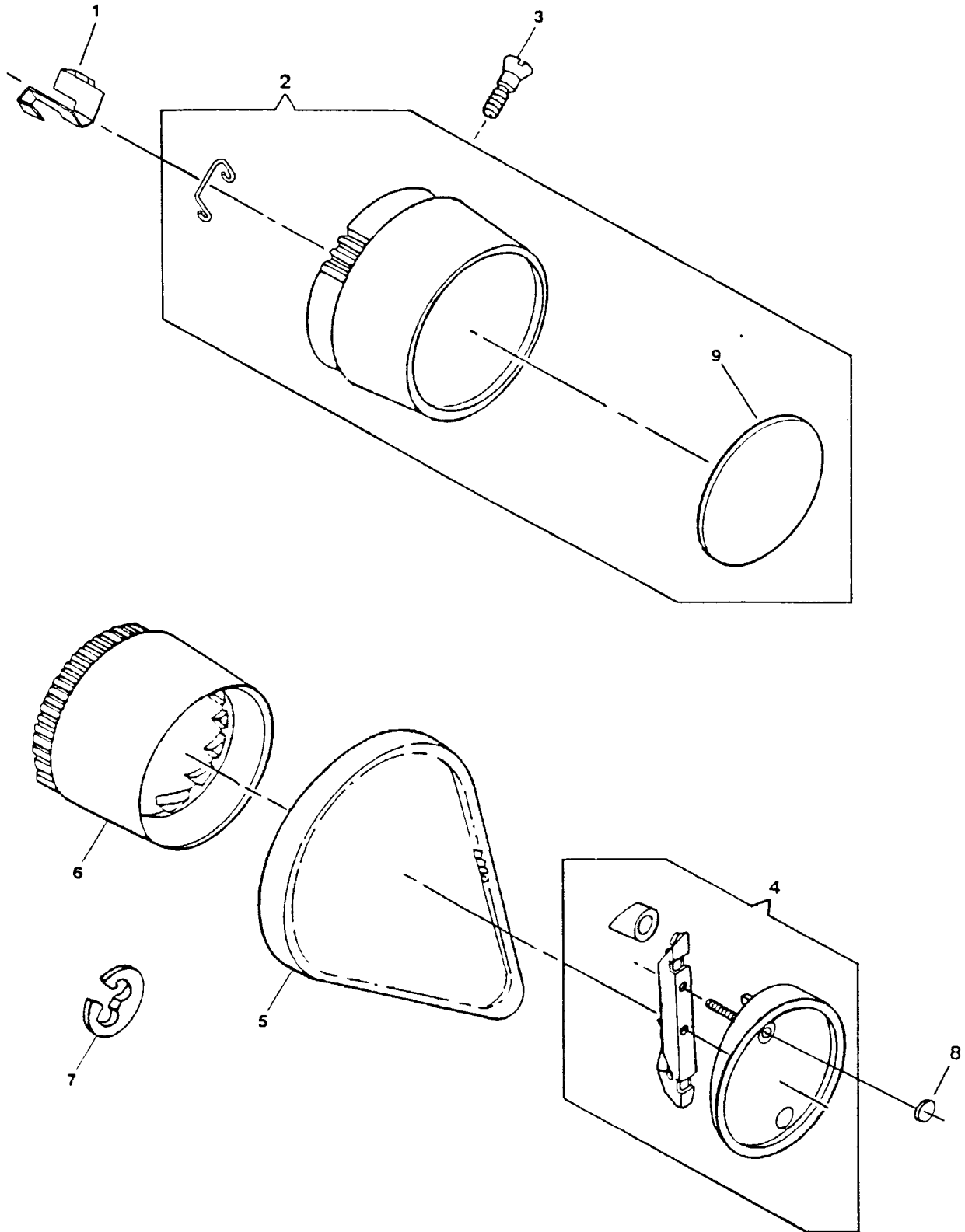
ARM SHAFT DRIVE SYSTEM

REF. NO.	PART NO.	DESCRIPTION	7	7	7
			0	0	0
			0	0	0
			0	4	5
1	113455-001	ARM SHAFT (HORIZONTAL) BUSHING (LEFT & RIGHT) CLAMP SCREW	X	X	X
2	312796	ARM SHAFT (HORIZONTAL) BUSHING (LEFT & RIGHT) CLAMP ASSEMBLY	X	X	X
3	113488-451	THREAD TAKE-UP STUD SET SCREW	X	X	X
4	931929-004	THREAD TAKE-UP AXIAL SCREW WASHER	X	X	X
5	113408-001	THREAD TAKE-UP AXIAL SCREW	X	X	X
6	313982	ARM SHAFT HORIZONTAL ASSEMBLY		X	
6	313989	ARM SHAFT HORIZONTAL ASSEMBLY (ALTERNATE TO 313982)		X	
6	313998	ARM SHAFT (HORIZONTAL) ASSEMBLY	X		X
6	313999	ARM SHAFT HORIZONTAL ASSEMBLY (ALTERNATE TO 313998)	X		X
7	312620-001	ARM SHAFT (HORIZONTAL) RETAINING COLLAR THRUST WASHER (PLASTIC)	X	X	X
7A	312620-002	ARM SHAFT THRUST WASHER	X	X	X
8	312795	ARM SHAFT (HORIZONTAL) BUSHING (LEFT & RIGHT)	X	X	X
9	514556-451	ARM SHAFT (HORIZONTAL) RETAINING COLLAR SET SCREW	X	X	X
10	312619	ARM SHAFT (HORIZONTAL) RETAINING COLLAR ASSEMBLY	X	X	X
11	603975-011	BELT (ROTATING HOOK DRIVE) ALT:603975-012	X	X	X
12	544212-003	ARM SHAFT (HORIZONTAL) BELT DRIVE PULLEY SCREW	X	X	X
13	314074-901	ARM SHAFT (HORIZONTAL) BELT DRIVE PULLEY (PLASTIC)	X	X	X
14	354591-451	DISC STACK DRIVING WORM GEAR SET SCREW	X	X	X
15	312623	DISC STACK DRIVING WORM GEAR ASSEMBLY	X	X	X
16	313153	HAND WHEEL RETAINING RING		X	
17	314131	ROTATING HOOK DRIVE SHAFT BELT PULLEY ASSEMBLY	X	X	X
18	544098	ROTATING HOOK DRIVE SHAFT BELT PULLEY SET SCREW	X	X	X
19	113445-001	ROTATING HOOK DRIVE SHAFT BUSHING (SELF-ALIGNING) CLAMP SCREW	X	X	X
20	314013-451	ROTATING H. D. SHAFT BUSHING (SELF-ALIGNING) CLAMP SCREW LOCK WASHER	X	X	X
21	313816	ROTATING HOOK DRIVE SHAFT BUSHING (SELF-ALIGNING) CLAMP	X	X	X
22	312700-001	ROTATING HOOK DRIVE SHAFT BUSHING (RIGHT) (SELF-ALIGNING)	X	X	X
23	444900-452	ROTATING HOOK DRIVE SHAFT SPRING WASHER	X	X	X
25	312685	ROTATING HOOK DRIVE SHAFT BEARING RETAINING RING	X	X	X
26	313920	FEED DRIVE SHAFT DRIVING GEAR ASSEMBLY	X	X	X
27	113466-451	FEED DRIVE SHAFT GEAR SET SCREW	X	X	X
28	313936	ROTATING HOOK DRIVE SHAFT	X	X	X
29	312700-002	ROTATING HOOK DRIVE SHAFT BUSHING (LEFT) (SELF-ALIGNING)	X	X	X
31	544208-005	ROTATING HOOK DRIVE SHAFT BEVEL GEAR SET SCREW	X	X	X
32	314011	ROTATING HOOK DRIVE SHAFT BEVEL GEAR ASSEMBLY ALT:314054-900	X	X	X
33	313195	IDLER BRACKET ASSEMBLY	X	X	X
34	313157	BELT IDLER PULLEY RETAINING RING	X	X	X
35	382255	BELT IDLER PULLEY	X	X	X
36	313001	IDLER BRACKET ASSEMBLY	X	X	X
39	113455-002	ROTATING HOOK DRIVING BELT TENSION ADJUSTER SCREW	X	X	X
40	314014-451	ROTATING HOOK DRIVING BELT TENSION ADJUSTER SCREW WASHER	X	X	X
41	314013-451	ARM SHAFT BUSHING (LAMP SCREW WASHER)	X	X	X

ARM SHAFT DRIVE SYSTEM



HAND WHEEL



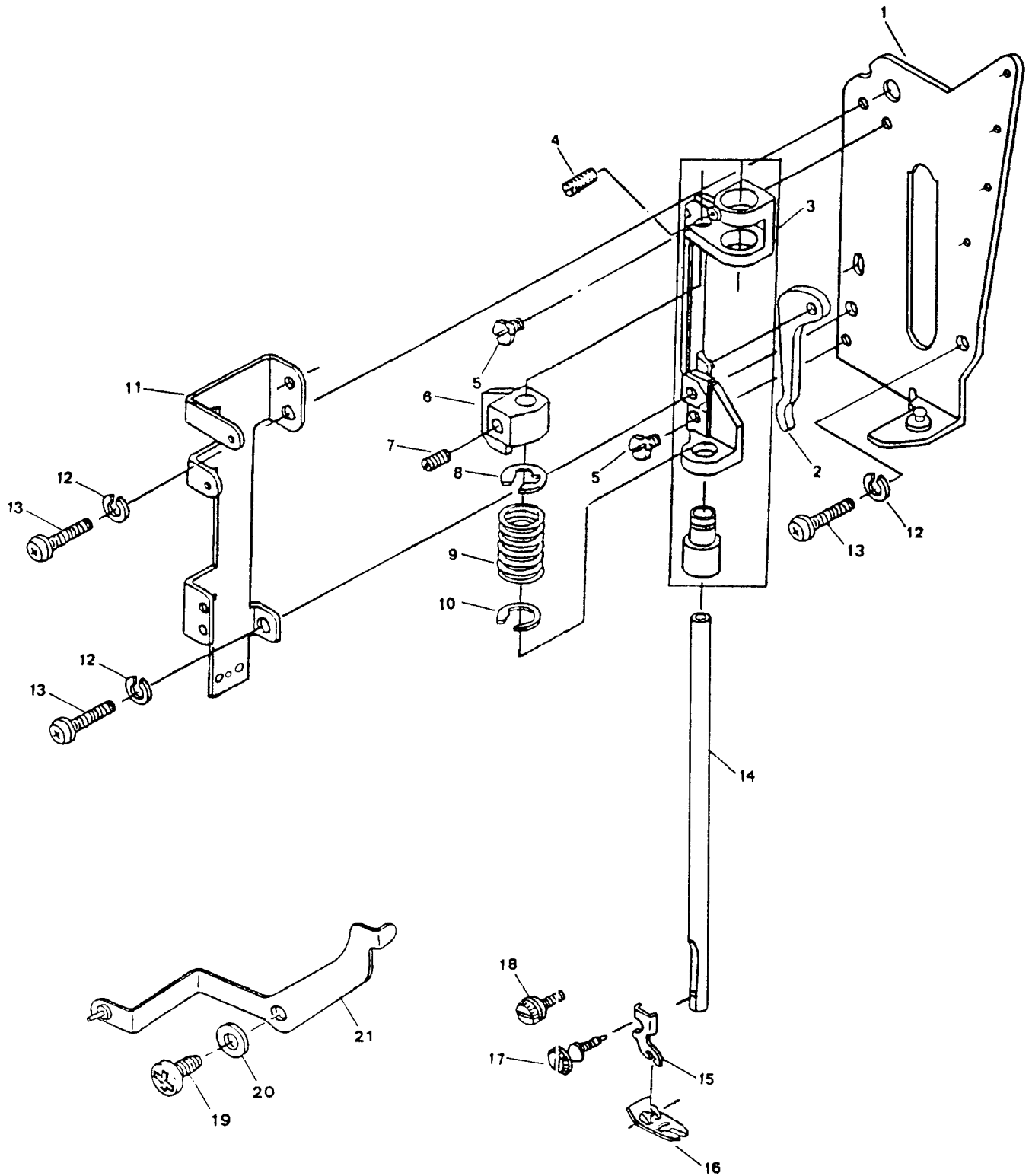
HAND WHEEL

REF. PART NO. NO.	DESCRIPTION	7	7	7
		0	0	0
		0	0	0
		0	4	5
1	314044 HAND WHEEL DRIVE SCREW SUPPORT CLIP	X		X
2	312991-455 HAND WHEEL ASSEMBLY	X		X
3	113454-451 HAND WHEEL DRIVE SCREW	X		X
4	313185-451 HAND WHEEL CLUTCH PLATE ASSEMBLY			X
5	312628-001 BELT (MOTOR DRIVE) ALT: 979285-001	X	X	X
6	312625-451 HAND WHEEL (PLASTIC)			X
7	313153 HAND WHEEL RETAINING RING			X
8	313082-901 HAND WHEEL NAME PLATE (APOLLO)			X
9	312986-902 HAND WHEEL NAME PLATE (CENTAUR)	X		X

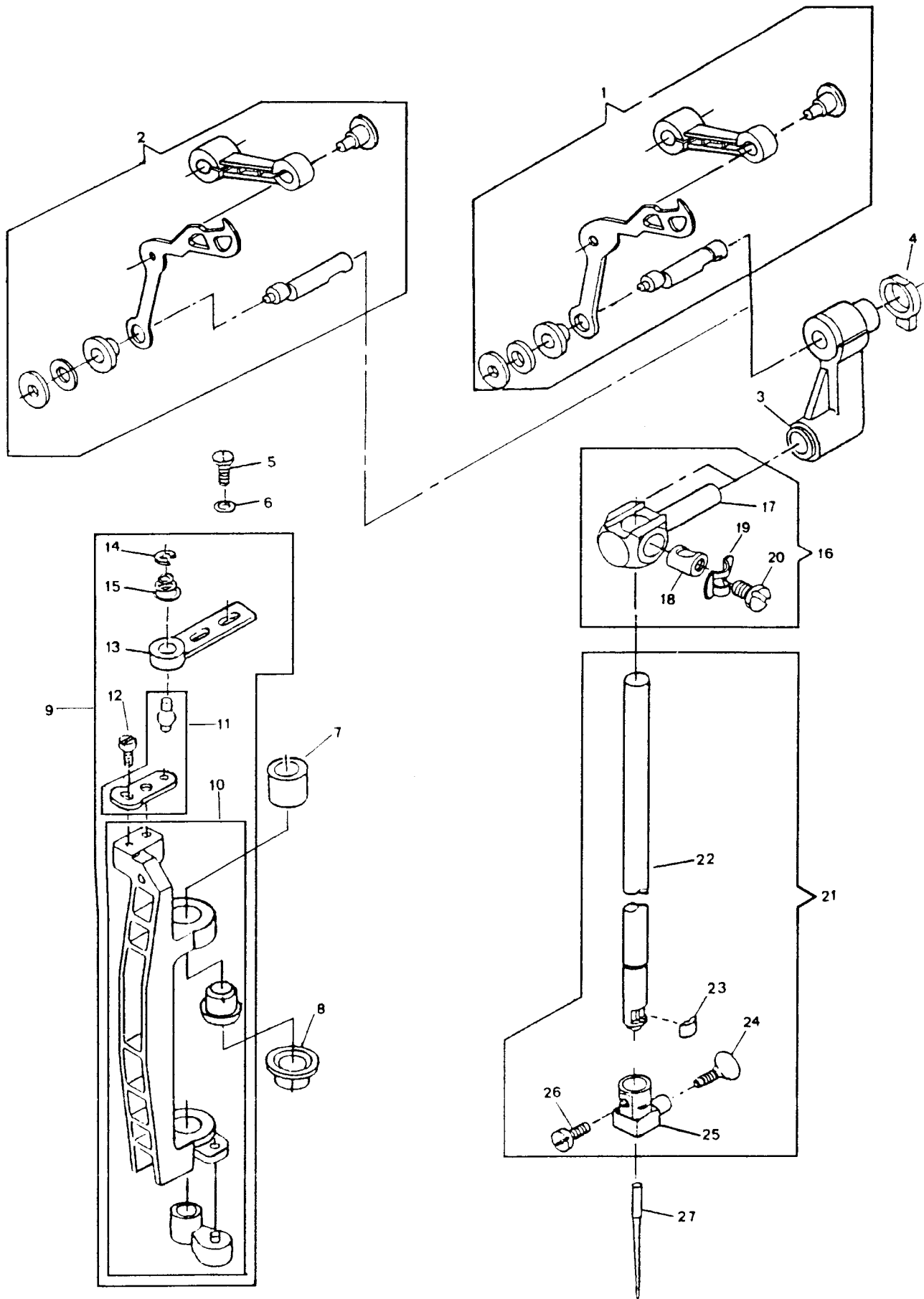
COAXIAL PRESSER BAR SYSTEM FOR NEW HEAD END

REF. PART NO. NO.	DESCRIPTION	7 7 7 0 0 0 0 0 0 0 4 5
1	314696 HEAD END MOUNTING PLATE ASSEMBLY COMP.	X X X
2	314582 PRESSER BAR LIFTER	X X X
3	314580 NEEDLE BAR & PRESSER BAR ADJUSTING BRACKET (SUB-ASSEMBLY)	X X X
4	544208-001 NEEDLE BAR VIBRATING BRACKET BALL BUSHING (UPPER) ADJUSTER SET SCREW	X X X
5	113485-452 NEEDLE BAR PRESSER BAR ADJUSTING BRACKET MOUNTING SCREW	X X X
6	314583-901 PRESSER BAR GUIDE BRACKET	X X X
7	141936-833 PRESSER BAR GUIDE BRACKET SCREW	X X X
8	314584 PRESSER BAR SPRING RETAINING RING (UPPER)	X X X
9	353214 PRESSER BAR SPRING	X X X
10	314585 PRESSER BAR SPRING RETAINING RING (LOWER)	X X X
11	314591 FACE PLATE MOUNTING BRACKET	X X X
12	313955-451 HEAD END MOUNTING PLATE LOCK WASHER	X X X
13	113455-012 HEAD END MOUNTING PLATE SCREW	X X X
14	314581 PRESSER BAR	X X X
15	163706-451 PRESSER FOOT SHANK (SNAP-ON)	X X X
16	313150 PRESSER FOOT PLATE (SNAP-ON) FOR ZIG-ZAG SEWING	X X X
17	113531-451 PRESSER FOOT THUMB SCREW	X
18	314627-451 PRESSER FOOT THUMB SCREW & BOBBIN WINDER THREAD HOLDER	X X
19	113455-001 NEEDLE THREAD TENSION RELEASE LEVER HINGE SCREW	X X X
20	314041-451 NEEDLE THREAD TENSION RELEASE LEVER RETAINING WASHER	X X X
21	314589 NEEDLE THREAD TENSION RELEASE LEVER ASSEMBLY	X X X

COAXIAL PRESSER BAR SYSTEM



NEEDLE BAR AND THREAD TAKE-UP



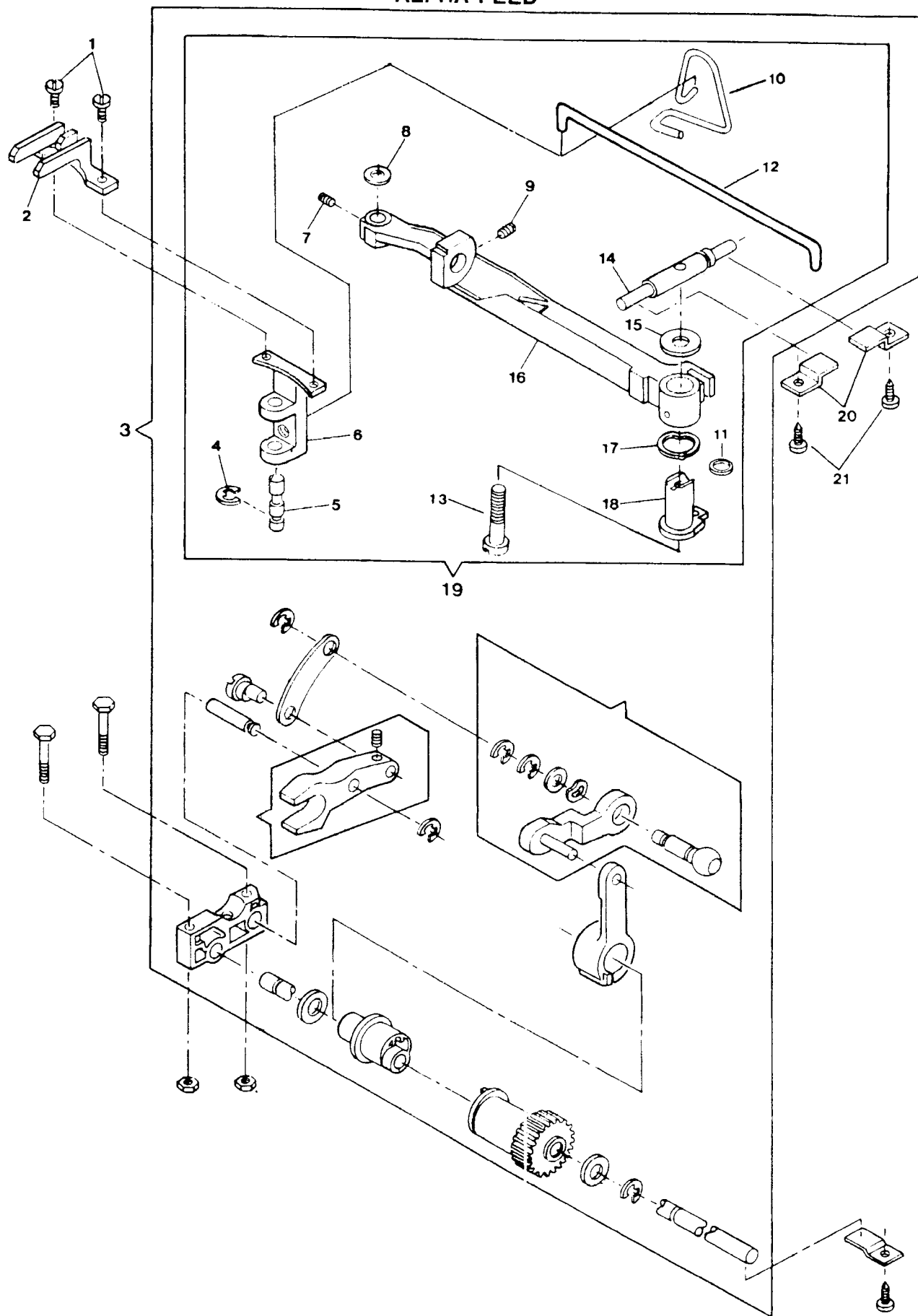
NEEDLE BAR & THREAD TAKE-UP FOR NEW HEAD END

REF. NO.	PART NO.	DESCRIPTION	7	7	7
			0	0	0
			0	0	0
			0	4	5
1	314694	THREAD TAKE-UP COMPLETE (APOLLO)			X
2	314699	THREAD TAKE-UP COMPLETE (CENTAUR)	X	X	X
3	313533	NEEDLE BAR CONNECTING LINK ASSEMBLY	X	X	X
4	314146	NEEDLE BAR CONNECTING LINK SPACER	X	X	X
5	113408-001	NEEDLE BAR DRIVING ARM BALL JOINT SCREW	X	X	X
6	931929-004	NEEDLE BAR DRIVING ARM BALL JOINT SCREW WASHER	X	X	X
7	314574	NEEDLE BAR VIBRATING BRACKET BUSHING (UPPER)	X	X	X
8	314573	NEEDLE BAR BALL BUSHING SOCKET (LOWER)	X	X	X
9	314569	NEEDLE BAR VIBRATING BRACKET ASSEMBLY	X	X	X
10	314614	NEEDLE BAR VIBRATING BRACKET SUB-ASSEMBLY	X	X	X
11	314570	NEEDLE BAR VIBRATING BRACKET STUD PLATE ASSEMBLY	X	X	X
12	141920-451	NEEDLE BAR VIBRATING BRACKET STUD PLATE ASSEMBLY MOUNTING SCREW	X	X	X
13	312839	NEEDLE BAR DRIVING ARM BALL JOINT	X	X	X
14	312702	NEEDLE BAR DRIVING ARM BALL JOINT RETAINING RING	X	X	X
15	382602	NEEDLE BAR DRIVING ARM BALL JOINT SPRING	X	X	X
16	313191	NEEDLE BAR CONNECTING STUD SUB-ASSEMBLY	X	X	X
17	312751	NEEDLE BAR CONNECTING STUD	X	X	X
18	312769	NEEDLE BAR CONNECTING STUD HINGE PIN	X	X	X
19	384000	NEEDLE BAR CONNECTING STUD HINGE PIN FRICTION WASHER	X	X	X
20	354972-451	NEEDLE BAR CLAMPING & GUIDE SCREW	X	X	X
21	313192	NEEDLE BAR SUB-ASSEMBLY	X	X	X
22	313553	NEEDLE BAR	X	X	X
23	313552	NEEDLE BAR GIB	X	X	X
24	354898-451	NEEDLE THUMB SCREW	X	X	X
25	313798	NEEDLE CLAMP BODY	X	X	X
26	141920-454	NEEDLE CLAMP BODY NEEDLE CLAMP THREAD GUIDE & NEEDLE STOP SCREW	X	X	X
27	N2045	NEEDLE SIZE NO. 14 (IN MACHINE)	X	X	X

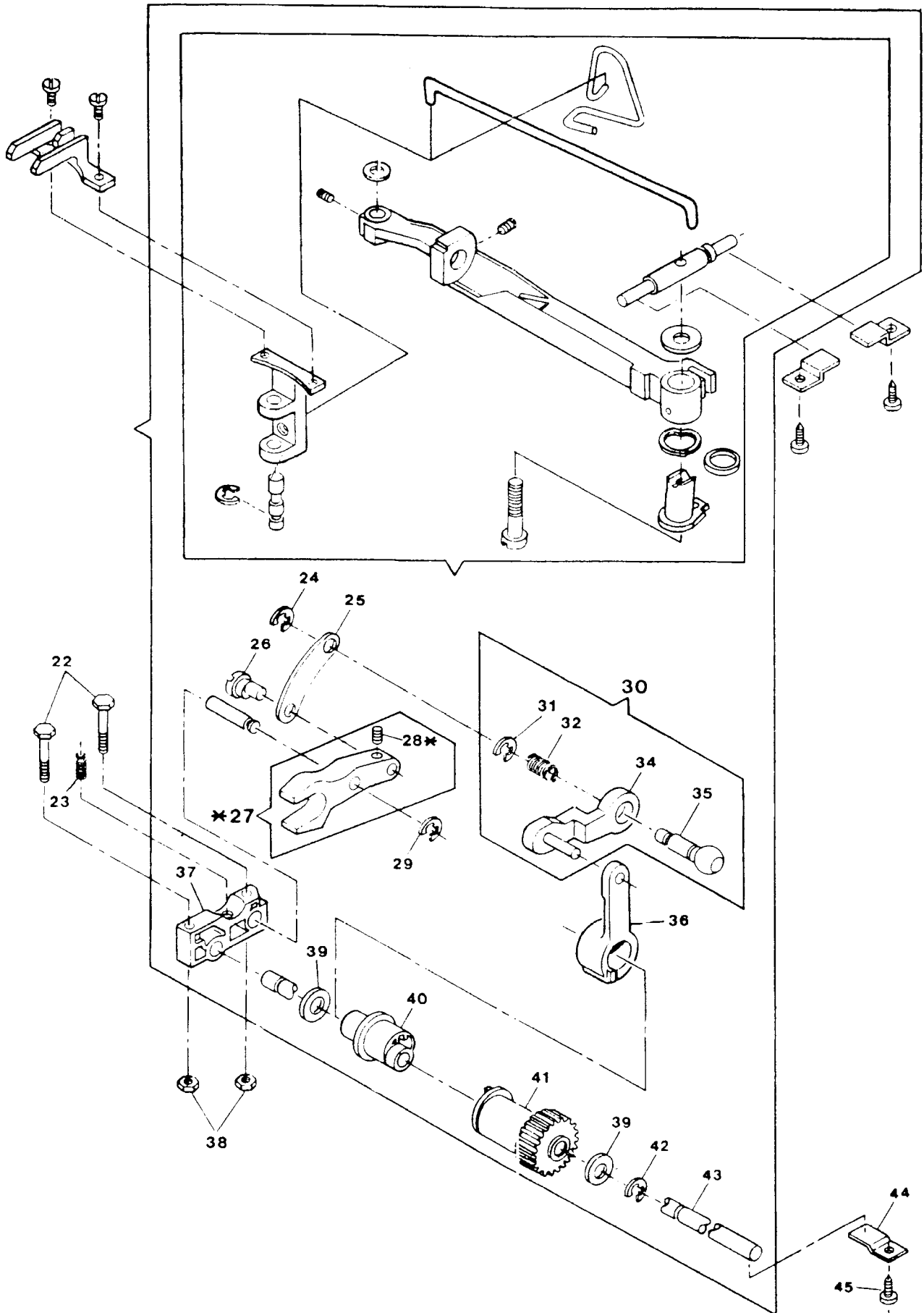
ALPHA FEED

REF. PART NO. NO.	DESCRIPTION	7	7	7
		0	0	0
		0	0	0
		0	4	5
1	141920-452	FEED DOG SCREW	X	X X
2	312679	FEED DOG (APOLLO)		X
2	313021	FEED DOG (ZINC) (CENTAUR)	X	X
2	313171	FEED DOG (APOLLO) (ALTERNATE PYRAMID)		X
3	314140-002	ALPHA FEED MODULE		X
3	314140-001	ALPHA FEED MODULE	X	X
4	511213	FEED DOG HOLDER STUD RETAINING RING	X	X X
5	511052	FEED DOG HOLDER STUD	X	X X
6	422334-902	FEED DOG HOLDER (MACHINED)	X	X X
7	544100	FEED DOG HOLDER STUD SCREW	X	X X
8	511210	FEED DOG HOLDER WASHER	X	X X
9	354983-451	FEED BAR CONNECT'G & FEED LIFT'G FORK CONNECT'G HINGE STUD (ECCENTRIC) SET SCREW (ALT: 354420-451)	X	X X
10	422561	FEED DOG HOLDER COMPENSATING LINK RETAINING SPRING (FRONT)	X	X X
11	422337	FEED DOG HOLDER COMPENSATING LINK RETAINING SPRING (BACK)	X	X X
12	422335-001	FEED DOG HOLDER COMPENSATING LINK	X	X X
13	514744-451	FEED BAR PIVOT HINGE STUD LOCK SCREW	X	X X
14	314142	FEED BAR PIVOT HINGE STUD PIN	X	X X
15	422338	FEED BAR HINGE PIN WASHER	X	X X
16	422333-902	FEED BAR	X	X X
17	511211	FEED BAR GUIDE HINGE PIN SPRING WASHER	X	X X
18	422340-001	FEED BAR PIVOT HINGE STUD	X	X X
19	314141	FEED BAR ASSEMBLY	X	X X
20	312851	FEED BAR PIVOT HINGE STUD CLAMP	X	X X
21	113455-003	FEED BAR PIVOT HINGE STUD CLAMP SCREW	X	X X

ALPHA FEED



ALPHA FEED (CONT.)



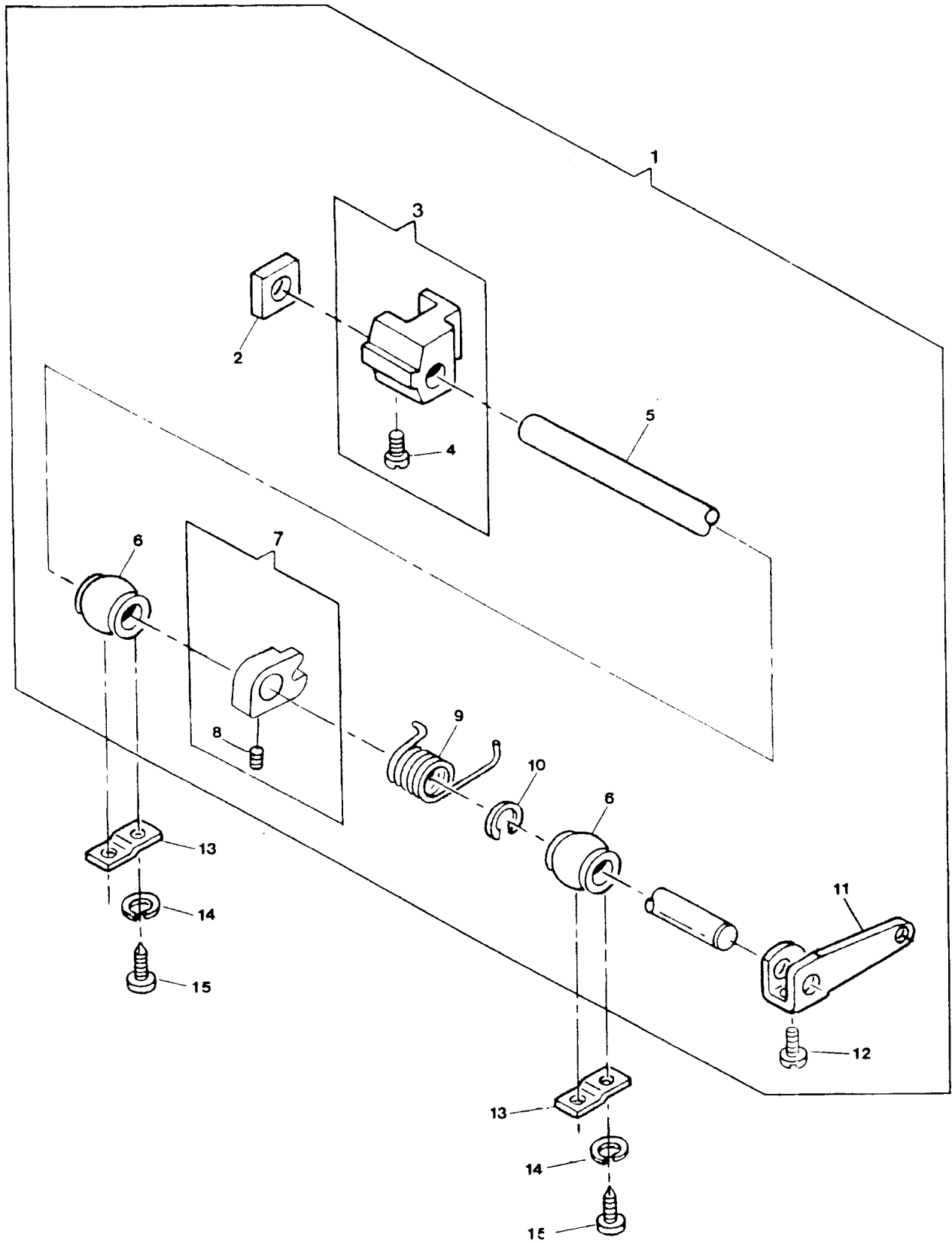
ALPHA FEED (CONT.)

REF. PART NO. NO.	DESCRIPTION	7 0 0 0	7 0 0 0	7 0 0 5	
22	354921-451	FEED & ROTATING HOOK DRIVE SHAFT BEARING BLOCK MOUNTING SCREW	X	X	X
23	314070	ROTATING HOOK DRIVE SHAFT BUSHING SPRING	X	X	X
24	312686	FEED LIFTING FORK CONNECTING RETAINING RING	X	X	X
25	511016	FEED LIFTING FORK CONNECTION	X	X	X
26	511056	FEED LIFTING FORK CONNECTING HINGE STUD (ECCENTRIC)	X	X	X
27	503325-002	FEED LIFTING FORK COMPL.	X	X	X
28	514685-451	FEED LIFTING FORK CONNECTING HINGE STUD (ECCENTRIC) SET SCREW	X	X	X
29	312685	FEED & ROTATING HOOK DRIVE SHAFT BEARING BLOCK STUD RETAINING RING	X	X	X
30	313910	FEED BAR CONNECTION ASSEMBLY COMPLETE	X	X	X
31	312685	FEED BAR CONNECTION AND FEED LIFTING FORK CONNECTION HINGE STUD (ECCENTRIC) RETAINING RING	X	X	X
32	314030	FEED BAR CONNECTION SPRING	X	X	X
34	313130	FEED BAR CONNECTION ASSEMBLY	X	X	X
35	313456	FEED BAR CONNECTION AND FEED LIFTING FORK CONNECTION HINGE STUD (ECCENTRIC) ALT: 312852	X	X	X
36	312872-900	FEED REGULATOR SLIDE BLOCK DRIVE CONNECTION	X	X	X
37	312864	FEED & ROTATING HOOK DRIVE SHAFT BEARING BLOCK ASSEMBLY	X	X	X
38	514674-451	FEED & ROTATING HOOK DRIVE SHAFT BEARING BLOCK MOUNTING SCREW NUT	X	X	X
39	312879-451	FEED DRIVE SHAFT GEAR WASHER	X	X	X
40	312869	FEED LIFTING CAM & FEED ECCENTRIC (APOLLO)		X	
40	312870	FEED LIFTING CAM & FEED ECCENTRIC (CENTAUR)	X		X
41	312902	FEED DRIVE SHAFT GEAR (PLASTIC)	X	X	X
42	312686	FEED DRIVE SHAFT GEAR RETAINING RING	X	X	X
43	312862-900	FEED DRIVE SHAFT	X	X	X
44	312851	FEED DRIVE SHAFT CLAMP	X	X	X
45	113455-003	FEED DRIVE SHAFT CLAMP SCREW	X	X	X

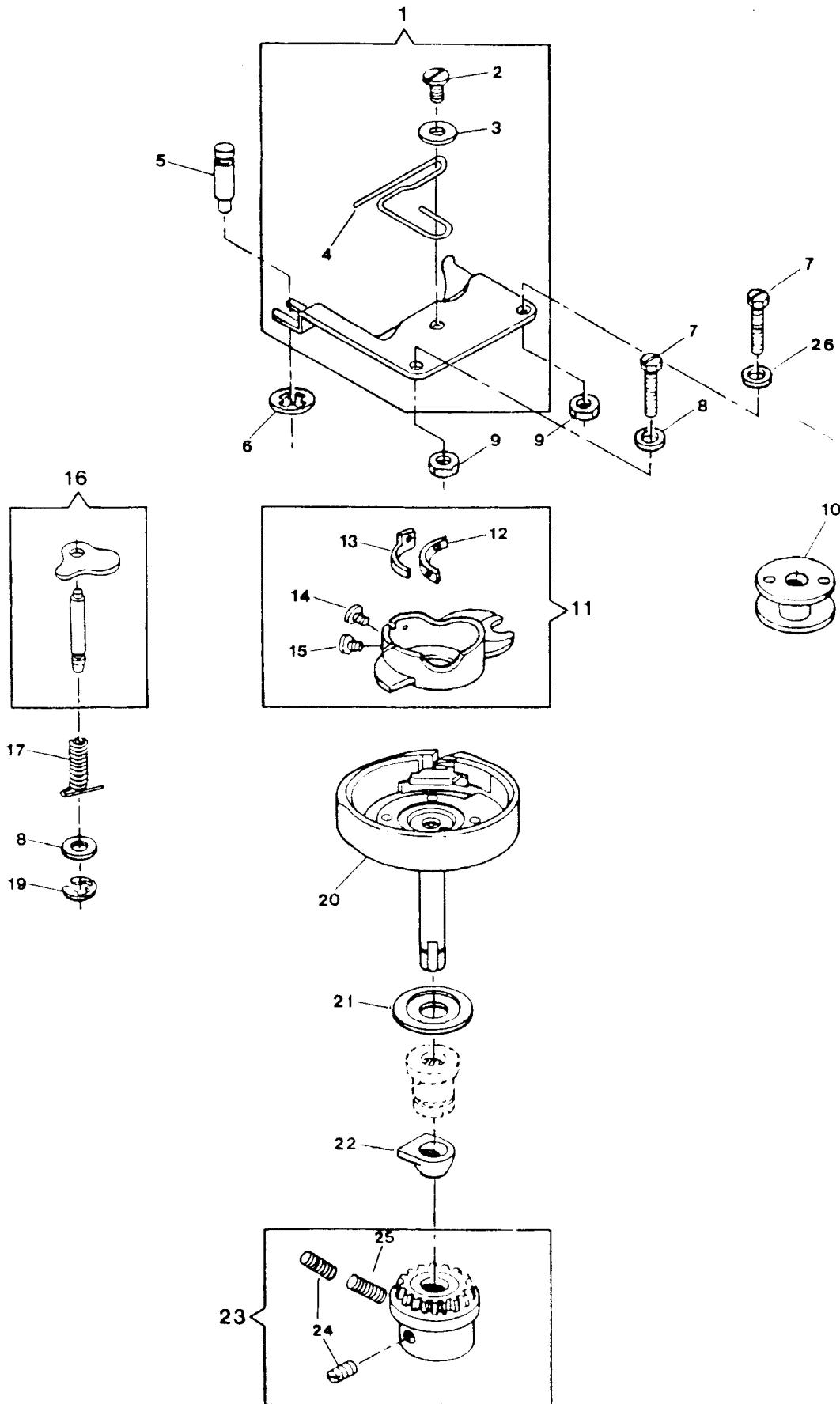
ALPHA FEED (CONT.)

REF. PART NO. NO.	DESCRIPTION	7 7 7 0 0 0 0 0 0 0 4 5
1 313133	FEED REGULATOR SHAFT ASSEMBLY	X X X
2 511030	FEED REGULATOR SLIDE BLOCK	X X X
3 312874	FEED REGULATOR COMPL.	X X X
4 113523-451	FEED REGULATOR SCREW	X X X
5 314173	FEED REGULATOR SHAFT	X X X
6 312700-002	FEED REGULATOR SHAFT BUSHING (SELF-ALIGNING)	X X X
7 314175	FEED REGULATOR SHAFT TENSION SPRING ADJUSTING COLLAR ASSEMBLY	X X X
8 544207-001	FEED REGULATOR SHAFT TENSION SPRING ADJUSTING COLLAR SCREW	X X X
9 314172	FEED REGULATOR SHAFT TENSION SPRING	X X X
10 312875	FEED REGULATOR SHAFT RETAINING RING	X X X
11 312801	STITCH LENGTH CONTROL CRANK	X X X
12 354922-451	STITCH LENGTH CONTROL CRANK SCREW	X X X
13 313816	FEED REGULATOR SHAFT BUSHING (SELF-ALIGNING) CLAMP	X X X
14 314013-451	FEED REGULATOR SHAFT BUSHING (SELF-ALIGNING) CLAMP SCREW LOCK WASHER	X X X
15 113455-001	FEED REGULATOR SHAFT BUSHING (SELF-ALIGNING) CLAMP SCREW	X X X

ALPHA FEED (CONT.)



HOOK SYSTEM (APOLLO)



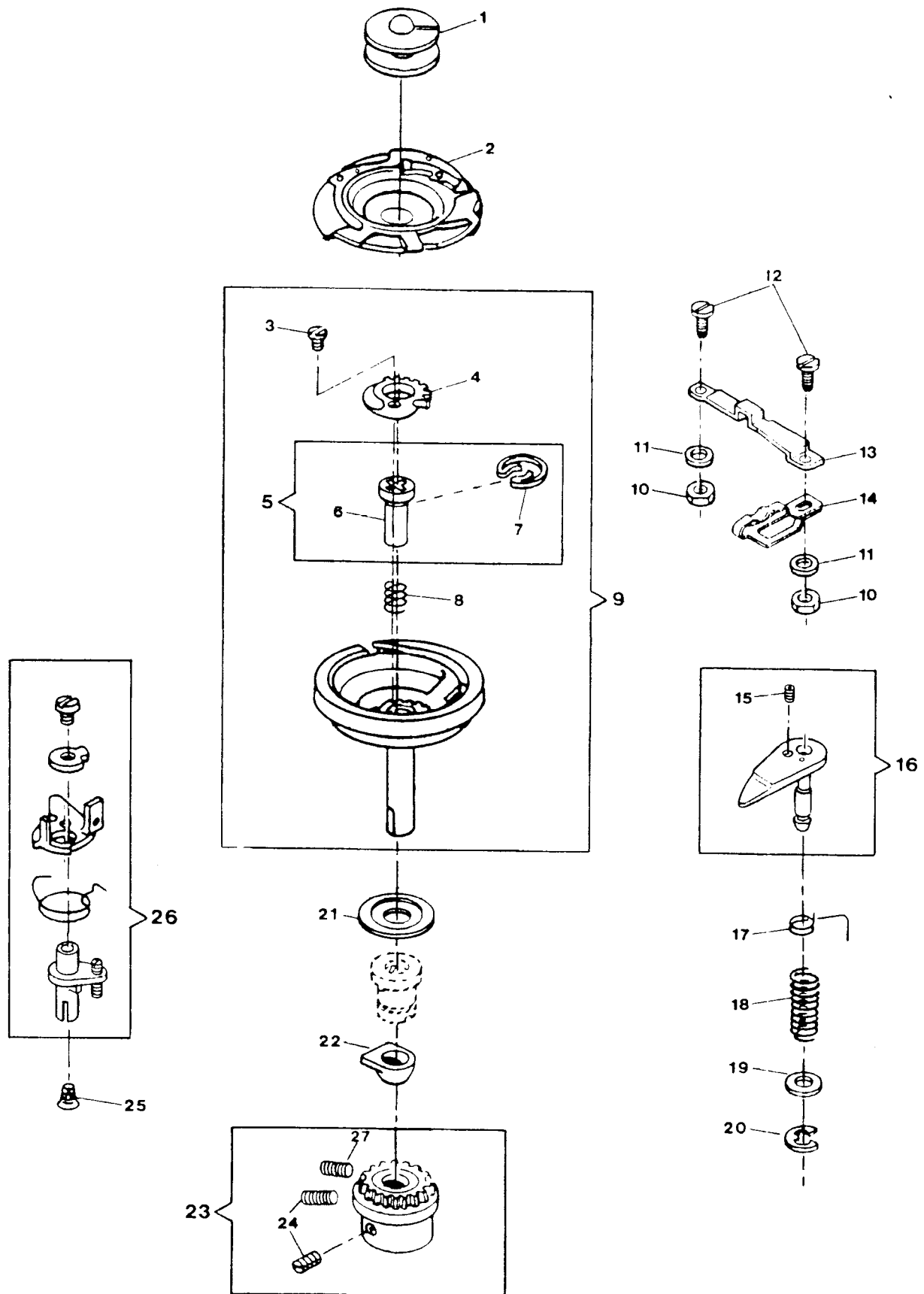
HOOK SYSTEM (APOLLO)

REF. NO.	PART NO.	DESCRIPTION	7	7	7
			0	0	0
			0	0	0
			0	4	5
1	313089	ROTATING HOOK BOBBIN CASE POSITION PLATE ASSEMBLY			X
1	314066	ROTATING HOOK BOBBIN CASE POSITION PLATE ASSEMBLY (ALTERNATE TO 313089)			X
2	354883-451	ROTATING HOOK BOBBIN CASE CUSHION SPRING SCREW			X
3	313190-451	ROTATING HOOK BOBBIN CASE CUSHION SPRING SCREW WASHER			X
4	313067-900	ROTATING HOOK BOBBIN CASE CUSHION SPRING			X
5	312603	ROTATING HOOK BOBBIN CASE POSITION PLATE HOLD DOWN STUD			X
6	313161	ROTATING HOOK BOBBIN CASE POSITION PLATE HOLD DOWN STUD RETAINING RING			X
7	113439-451	ROTATING HOOK BOBBIN CASE POSITION PLATE SCREW			X
8	313190-451	ROTATING HOOK BOBBIN CASE POSITION PLATE SCREW WASHER			X
9	313945-451	ROTATING HOOK BOBBIN CASE POSITION PLATE SCREW NUT			X
10	172336	ROTATING HOOK BOBBIN (PLASTIC)			X
11	421325	ROTATING HOOK BOBBIN CASE COMPLETE			X
12	310884-452	ROTATING HOOK BOBBIN CASE TENSION SPRING SEGMENT			X
13	310883	ROTATING HOOK BOBBIN CASE TENSION SPRING			X
14	139975-452	ROTATING HOOK BOBBIN CASE TENSION SPRING SEGMENT SCREW			X
15	354183-452	ROTATING HOOK BOBBIN CASE TENSION REGULATING SCREW			X
16	312846	ROTATING HOOK BOBBIN CASE RETAINING PLATE SUB ASSEMBLY			X
17	312607	ROTATING HOOK BOBBIN CASE RETAINING PLATE STUD SPRING			X
18	313190-451	ROTATING HOOK BOBBIN CASE RETAINING PLATE STUD WASHER			X
19	313783	ROTATING HOOK BOBBIN CASE RETAINING PLATE STUD RETAINING RING			X
20	314025	ROTATING HOOK COMPLETE (ALTERNATE TO 313034)			X
21	314049	ROTATING HOOK FLANGED BUSHING THRUST WASHER			X
22	312847	ROTATING HOOK FLANGED BUSHING WASHER			X
23	314101-900	ROTATING HOOK BEVEL GEAR COMPLETE (ALT: 314012)			X
24	544207-012	ROTATING HOOK BEVEL GEAR (PLASTIC) SET SCREW			X
25	544207-011	ROTATING HOOK BEVEL GEAR SET SCREW			X

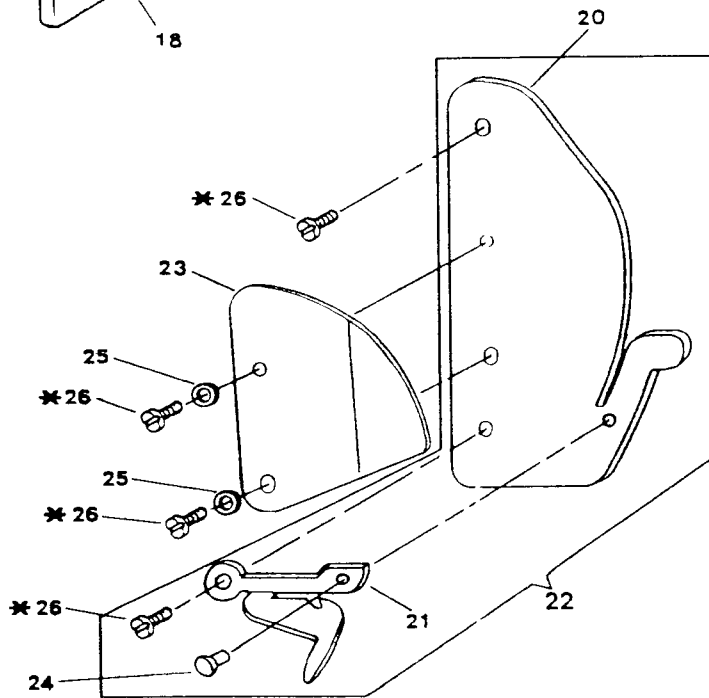
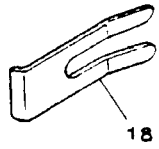
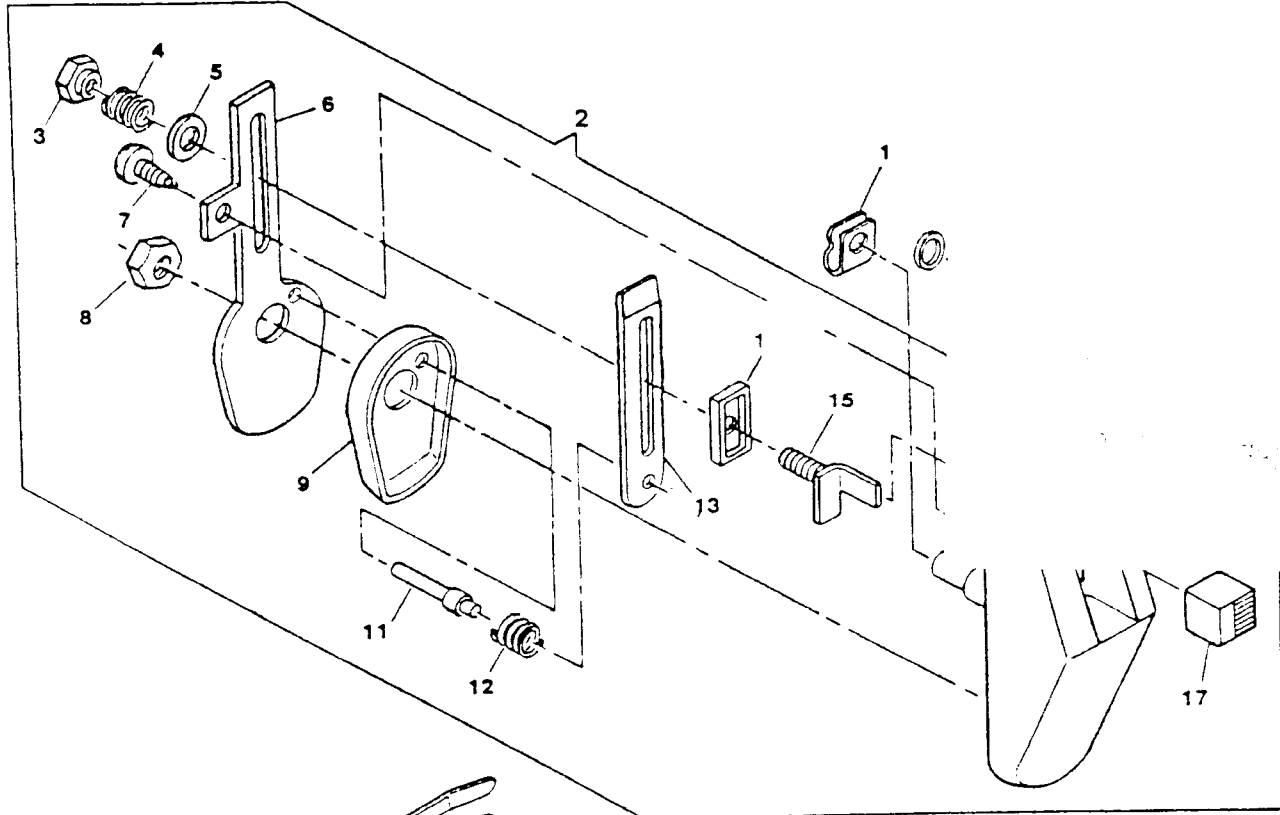
HOOK AND BOBBIN WINDING SYSTEM (CENTAUR)

REF. NO.	PART NO.	DESCRIPTION	7	7	7
			0	0	0
			0	0	0
			0	4	5
1	312956	BOBBIN	X	X	
2	314662	ROTATING HOOK BOBBIN CASE COMPL. (USED WITH 314025)	X	X	
3	354973-451	ROTATING HOOK THREAD PULL-OFF INSERT SCREW	X	X	
4	312966	ROTATING HOOK THREAD PULL-OFF	X	X	
5	313155	ROTATING HOOK BOBBIN DRIVER CLUTCH SPRING ASSEMBLY	X	X	
6	312967	ROTATING HOOK BOBBIN DRIVER BUSHING	X	X	
7	313124	ROTATING HOOK BOBBIN DRIVER SHAFT CLUTCH SPRING	X	X	
8	312968	ROTATING HOOK BOBBIN DRIVER BUSHING RETURN SPRING	X	X	
9	313183-002	ROTATING HOOK ASSEMBLY	X	X	
10	313945-451	ROTATING HOOK BOBBIN CASE POSITION PLATE SCREW NUT	X	X	
11	313190-451	ROTATING HOOK BOBBIN CASE POSITION PLATE SCREW WASHER	X	X	
12	113439-451	ROTATING HOOK BOBBIN CASE POSITION PLATE SCREW	X	X	
13	312738	ROTATING HOOK BOBBIN CASE POSITION PLATE	X	X	
14	313068	BED SLIDE POSITIONER	X	X	
15	354891-451	ROTATING HOOK BOBBIN CASE RETAINING PLATE ADJUSTING SCREW	X	X	
16	313088	ROTATING HOOK BOBBIN CASE RETAINING PLATE COMPLETE	X	X	
17	313930	ROTATING HOOK BOBBIN CASE RETAINING PLATE RETURN SPRING	X	X	
18	314072	ROTATING HOOK BOBBIN CASE RETAINING PLATE SPRING	X	X	
19	313190-451	ROTATING HOOK BOBBIN CASE POSITION PLATE SCREW WASHER	X	X	
20	312702	ROTATING HOOK BOBBIN CASE RETAINING PLATE SPRING RETAINING RING	X	X	
21	314049	ROTATING HOOK FLANGED BUSHING THRUST WASHER	X	X	
22	312847	ROTATING HOOK FLANGED BUSHING WASHER	X	X	
23	314101-900	ROTATING HOOK BEVEL GEAR COMPLETE (ALT: 314012)	X	X	
24	544207-012	ROTATING HOOK BEVEL GEAR (PLASTIC) SET SCREW	X	X	
25	354929-451	BED SLIDE ACTUATING LEVER STUD SCREW	X	X	
26	313956	BED SLIDE ACTUATING LEVER ASSEMBLY	X	X	
27	544207-011	ROTATING HOOK BEVEL GEAR SET SCREW	X	X	

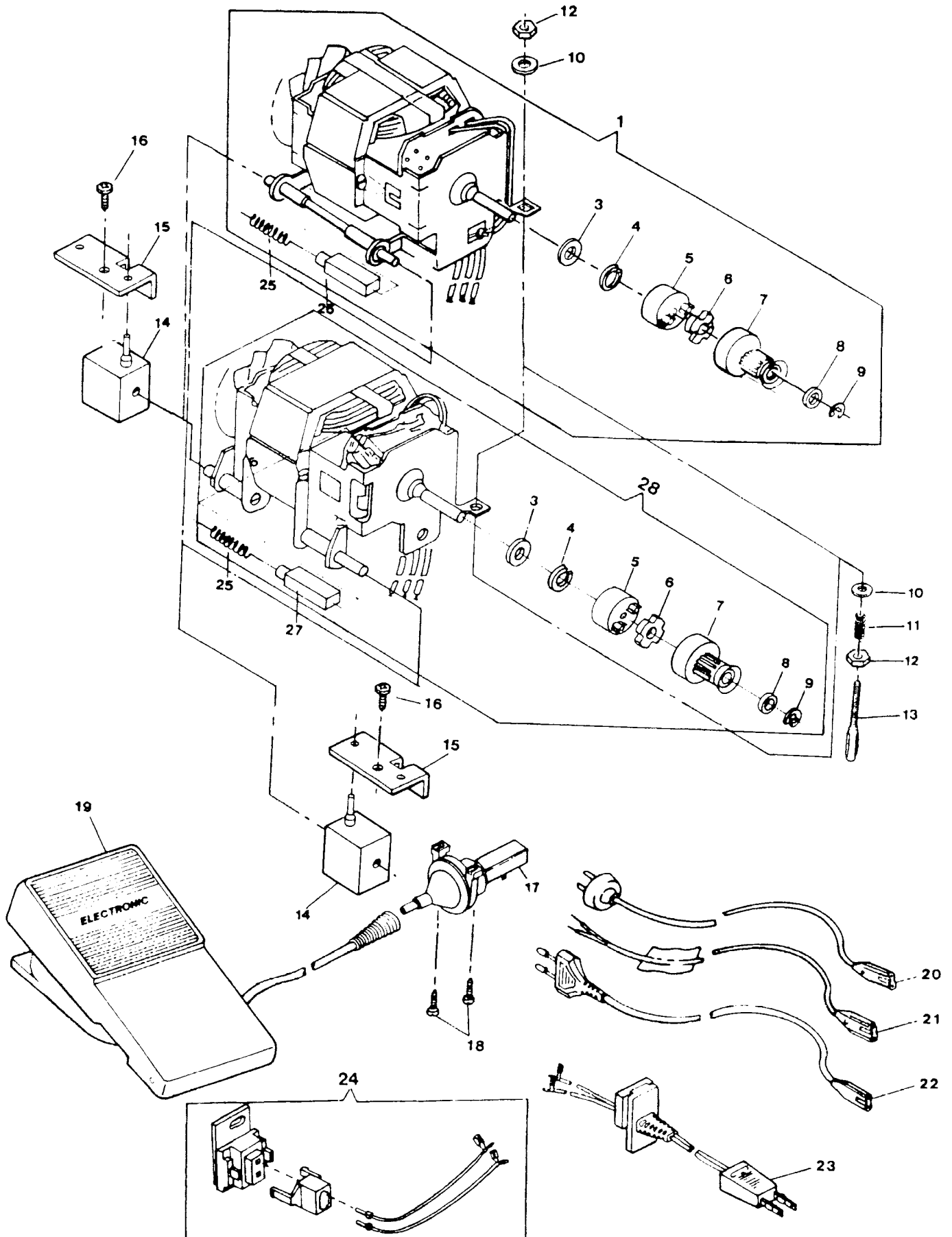
HOOK AND BOBBIN WINDING SYSTEM (CENTAUR)



DEMAND RESPONSIVE NEEDLE TENSION SYSTEM



ELECTRICAL EQUIPMENT



DEMAND RESPONSIVE NEEDLE TENSION SYSTEM

REF. PART NO. NO.	DESCRIPTION	7 7 7 0 0 0 0 0 0 0 4 5
1 313199	TENSION COVER MOUNTING RETAINER	X X X
2 313077-006	THREAD TENSION MODULE	X X X
3 314299-451	TENSION REGULATOR LEVER STUD NUT	X X X
4 312708	TENSION SPRING	X X X
5 312710	TENSION SPRING WASHER	X X X
6 314002	TENSION MOUNTING PLATE SUB-ASSEMBLY TAKE-OFF	X X X
7 113442-003	TENSION COVER MOUNTING SCREW	X X X
8 53641	TENSION COVER RETAINING STUD NUT	X X X
9 312703	TENSION DISC	X X X
9 313403	TENSION DISC (ALTERNATE TO 312703)	X X X
11 312705	TENSION RELEASE PIN	X X X
12 314005	PRE-TENSION SPRING	X X X
13 312707	TENSION LEVER	X X X
13 313904	TENSION LEVER (ALTERNATE)	X X X
14 313048	TENSION REGULATING LEVER SLIDE BLOCK	X X X
15 312946	TENSION REGULATING LEVER ASSEMBLY	X X X
16 313015-001	TENSION COVER ASSEMBLY	X X X
17 312664-456	TENSION REGULATING KNOB	X X X
18 313047	TENSION COVER RETAINING CLIP	X X X
19 314309	TENSION COVER SPACER (UPPER)	X X X
20 314685-900	THREAD WEAR PLATE (APOLLO)	X
20 314697-900	THREAD WEAR PLATE (CENTAUR)	X X
21 314687-900	THREAD GUIDE	X X X
22 314688	THREAD TAKE-UP WEAR PLATE ASS'Y (APOLLO)	X
22 314698	THREAD TAKE-UP WEAR PLATE ASS'Y (CENTAUR)	X X
23 314690	THREAD PINCH PLATE	X X X
24 314686-900	THREAD GUIDE RIVET	X X X
25 317166	PINCH PLATE MOUNTING SCREW WASHER	X X X

PATTERN, STITCH LENGTH CONTROL & CAM CONTROLLED FEED (CONT.)

REF. PART NO. NO.	DESCRIPTION	7 7 7 0 0 0 0 0 0 0 4 5	
1	314300-001	FEED REVERSE MECHANISM	X
1	314300-002	FEED REVERSE MECHANISM	X X
2	514674-451	CAM CONTROLLED FEED CONNECTING ROD LOCKING NUT	X X X
3	312645-451	CAM CONTROLLED FEED DISC FOLLOWER ACTUATOR CONNECTING ROD ADJUSTING NUT	X X X
4	313143	CAM CONTROLLED FEED DISC FOLLOWER ACTUATOR CONNECTING ROD SPRING	X X X
5	312702	FEED LEVER CONNECTING LINK RETAINING RING	X X X
6	313891	CAM CONTROLLED FEED CONNECTING ROD STABILIZING WASHER	X X X
8	314549	CAM CONTROLLED FEED DISC FOLLOWER ACTUATOR CONNECTING ROD	X X X
9	313057	FEED LEVER CONNECTING LINK	X X X
11	314283	STITCH LENGTH CONTROL ARM	X X X
12	312702	CAM CONTROLLED FEED DISC FOLLOWER ACTUATOR CONNECTING ROD RETAINING RING	X X X
13	354958-451	REVERSE FEED LEVER PIVOT SCREW	X X X
14	314282	REVERSE FEED CRANK SPRING	X X X
15	314281	REVERSE FEED CRANK	X X X
16	314279-900	REVERSE FEED LEVER MOUNTING BRACKET	X X X
17	314280	REVERSE FEED CONTROL LEVER	X X X
18	113499-451	REVERSE FEED CONTROL LEVER & LATCH SCREW	X X X
19	312657-456	REVERSE FEED CONTROL LEVER KNOB (PLASTIC)	X X X
20	514674-451	REVERSE FEED CONTROL LEVER GUIDE SCREW NUT	X X X
21	313569	STITCH LENGTH CONTROL LEVER ASSEMBLY	X X X
22	113356-451	STITCH LENGTH CONTROL LEVER PIVOT SCREW	X X X
23	313567	STITCH LENGTH CONTROL LEVER SPRING	X X X
24	313566	STITCH LENGTH CONTROL FRICTION WASHER	X X X
25	313565-451	STITCH LENGTH CONTROL LEVER NUT	X X X
26	312663	STITCH LENGTH CONTROL LEVER	X X X
27	313960	STITCH LENGTH CONTROL LEVER CAM ASSEMBLY	X X X
28	313188	STITCH LENGTH CONTROL LEVER CAM RETAINING CLIP	X X X
29	312664-451	STITCH LENGTH CONTROL LEVER KNOB (PLASTIC)	X
29	312664-456	STITCH LENGTH CONTROL LEVER KNOB (PLASTIC)	X X
30	313172-451	STITCH LENGTH CONTROL LEVER PIVOT LOCK WASHER	X X X
31	313177-451	STITCH LENGTH CONTROL LEVER NUT	X X X

ELECTRICAL EQUIPMENT

REF. NO.	PART NO.	DESCRIPTION	7	7	7
			0	0	0
			0	0	0
			0	4	5
1	988529-009	MOTOR COMP. (CAT. NO. TA4-8) 120 VOLT (NATIONAL MOTOR)	X	X	X
1	988529-010	MOTOR COMP. (CAT. NO. TA4-11) 220/240 VOLT (NATIONAL MOTCR)	X	X	X
3	931744-001	SPACER WASHER (AS REQUIRED)	X	X	X
3	931744-002	SPACER WASHER (AS REQUIRED)	X	X	X
3	931744-003	SPACER WASHER (AS REQUIRED)	X	X	X
3	931744-103	SPACER WASHER (AS REQUIRED)	X	X	X
4	603908-001	RETAINING RING	X	X	X
5	988738-002	MOTOR PULLEY ISOLATOR HUB	X	X	X
6	988795-001	MOTOR PULLEY TORQUE CUSHION	X	X	X
7	979124-001	PULLEY WITH BELT RETAINER	X	X	X
8	988717-001	WASHER	X	X	X
9	619279-902	MOTOR PULLEY ISOLATOR HUB RETAINING RING	X	X	X
10	37969	MOTOR ADJUSTING STUD NUT WASHER	X	X	X
11	314058	MOTOR BELT TENSION SPRING	X	X	X
12	53646	MOTOR ADJUSTING STUD NUT	X	X	X
13	988653-001	MOTOR ADJUSTING STUD	X	X	X
14	979329-001	RESILIENT MOUNT	X	X	X
15	988651-001	CLIP	X	X	X
16	113470-004	MOTOR MOUNTING SCREW	X	X	X
17	988549-005	PNEUMATIC TRANSDUCER	X	X	X
18	113444-003	PNEUMATIC TRANSDUCER MOUNTING SCREW	X	X	X
19	988667-001	PNEUMATIC CONTROLLER ASSEMBLY	X	X	X
20	988638-004	APPLIANCE COUPLER FOR AUSTRALIA (BICENTENNIAL)	X	X	X
21	988638-003	APPLIANCE COUPLER (240 VOLT) FOR U.K.	X	X	X
22	988638-001	APPLIANCE COUPLER (220 VOLT) FOR EUROPE	X	X	X
23	988557-001	CORD W/STRAIN RELIEF AND PLUG (120 VOLT) FOR U.S./CANADA	X	X	X
24	988657-003	CORD WITH RECEPTACLE (EUROPE/U.K./AUSTRALIA)	X	X	X
25	619436-001	BRUSH SPRING (2)	X	X	X
26	619435-013	MOTOR BRUSH (2) (FOR NATIONAL MOTOR)	X	X	X
27	619435-015	MOTOR BRUSH (2) (FOR ITU MOTOR)	X	X	X
28	988529-009	MOTOR COMP. (CAT. NO. TA4-8) 120 VOLT (ITU MOTOR)	X	X	X
28	988529-010	MOTOR COMP. (CAT. NO. TA4-11) 220/240 VOLT (ITU MOTOR)	X	X	X

ELECTRICAL EQUIPMENT (CONT.)

REF. PART NO. NO.	DESCRIPTION	7	7	7
		0	0	0
		0	0	0
		0	4	5
1	314596-001 LINT AND HEAT SHIELD ASSEMBLY (220/240V)	X	X	X
2	979203-002 LIGHT ASSEMBLY (EUROPE) (220V)	X	X	X
2	979203-003 LIGHT ASSEMBLY (AUSTRALIA) (240V) (BICENTENNIAL)	X	X	X
3	540899 TY-WRAP SELF-LOCKING (ALT: 605600-001)	X	X	X
4	979203-001 LAMP SOCKET (120V) (US/CANADA)	X	X	X
5	314596-002 LINT AND HEAT SHIELD ASSEMBLY (100V)			X
5	314596-003 LINT AND HEAT SHIELD ASSEMBLY (120V)	X	X	X
6	446138 HEAT SHIELD MOUNTING SCREW WASHER	X	X	X
7	544211-002 HEAT SHIELD MOUNTING SCREW	X	X	X
8	194120-021 LIGHT BULB (240 VOLT) (ALT: 542656-004) (BICENTENNIAL)	X	X	X
8	194120-020 LIGHT BULB (220 VOLT) (ALT: 542656-003)	X	X	X
8	194120-019 LIGHT BULB (120 VOLT) (ALT: 542656-005)	X	X	X
9	113445-003 THREAD TAKE-UP COVER AND LINT/HEAT SHIELD SCREW	X	X	X
10	988547-002 WASHER	X	X	X
11	113444-001 SCREW (P. C. BOARD MOUNTING)	X	X	X
12	988548-001 SWITCH OPERATOR (120 VOLT)	X	X	X
12	988548-002 SWITCH OPERATOR (220/240 VOLTS)	X	X	X
13	988547-001 WASHER	X	X	X
14	979123-004 SPEED CONTROL P. C. BOARD ASSEMBLY 120 VOLT (FULL WAVE)	X	X	X
14	979120-005 SPEED CONTROL P. C. BOARD ASSEMBLY 220/240 VOLTS (FULL WAVE)	X	X	X
14	979161-003 SPEED CONTROL P. C. BOARD ASSEMBLY 100 VOLT (FULL WAVE)	X	X	X
14	979192-005 SPEED CONTROL P. C. BOARD ASSEMBLY 220/240 VOLTS (FULL WAVE)	X	X	X
15	113455-001 SCREW (LIGHT HARNESS)	X	X	X
16	604690-001 SELF-LOCKING NYLON CABLE TIE (LIGHT HARNESS)	X	X	X

ELECTRICAL EQUIPMENT (CONT.)

